

# SPECIFICATIONS

MODEL	T-FHP
DESCRIPTION	Mini Version Transmitter Module (Order for repair or replacement)
FREQUENCY BAND	2.4GHzband (2.402GHz~2.479GHz、1MHz interval 78ch)
COMMUNICATION SYSTEM	Spread spectrum(frequency hopping system)
MODULATION SYSTEM	GFSK
GROUP CHANNEL	256(000~255)
ID	3 digit (000~999)、7digit (alphanumeric)
MATERIAL OF CASE	PBT Plastic
POWER	DC3V(CR2032)
DISPLAY	Communication status check LED (RED / BLUE ) Remaining battery (Blue / red alternating flashing 3 times )
OPERATING TEMPERATURE RANGE	0~45°C
TRANSMITTING RECEIVING DISTANCE	about 10~20m

MODEL	QSPFHP6N4	QSPFHP12N4
DESCRIPTION	Preset Ratchet Head Torque Wrench with Mini T-FHP Transmitter	
S.I. RANGE [ N · m ]	1~6	2~12
METRIC RANGE [ kgf · cm ]	10~60	20~120
AMERICAN [ lbs.in. ]	8.9~53.1	17.7~106.2
MAX. HAND FORCE [ N ]	45	89
DIMENSION [mm]	EFFECTIVE LENGTH (L)	135
	OVERALL LENGTH (L')	185
	SQ. DRIVE (a)	6.35
	SQ. DRIVE (b)	7.5
	HEAD (R)	11.5
	HEAD (h)	17.5
	BODY (m)	19
	BODY (n)	9.2
	BODY (D)	24

Models: QSPFHP1.5N4 and QSPFHP3N4 are available upon request and have the T-FHP module mounted perpendicular to the body of the wrench.

Accuracy ±3%

MODEL	CSPFHP6N4X8D	CSPFHP12N4X8D
DESCRIPTION	Preset Interchangeable Head Torque Wrench with Mini T-FHP Mini Transmitter	
S.I. RANGE [ N · m ]	1~6	2~12
METRIC RANGE [ kgf · cm ]	10~60	20~120
AMERICAN RANGE [ lbf · in ]	8.9~53.1	17.7~106.2
MAX. HAND FORCE [ N ]	39	79
DIMENSION [mm]	EFFECTIVE LENGTH (L)	153
	OVERALL LENGTH (L')	165
	HEAD (d3)	8
	BODY (m)	19
	BODY (n)	9.2
	BODY (d)	15
	BODY (D)	24

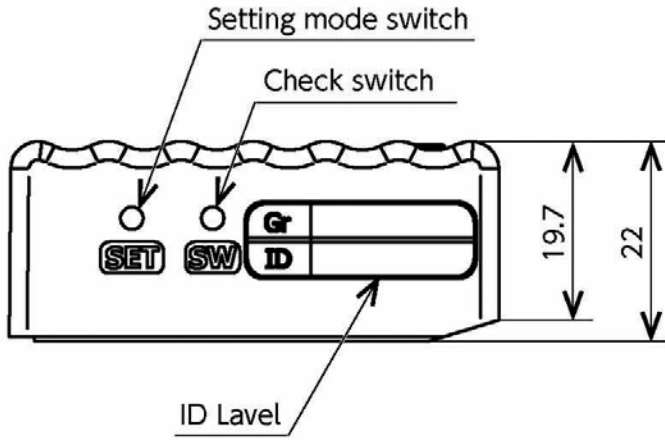
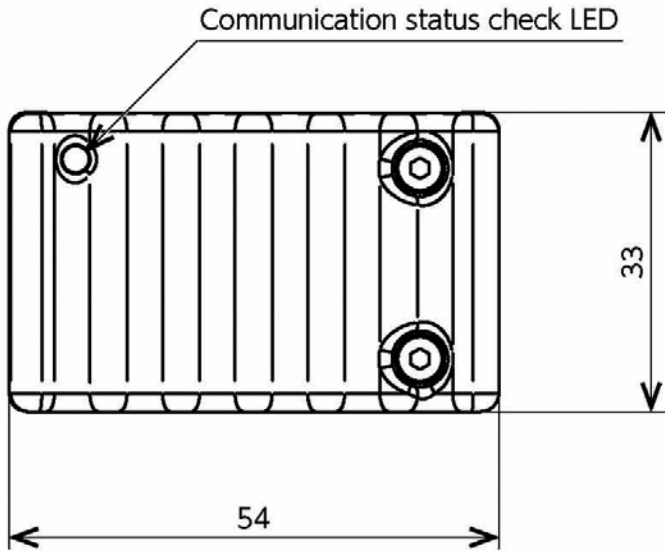
Models CSPFHP1.5N4X8D and CSPFHP3N4X8D are available upon request and have T-FHP module mounted perpendicular to the body of the wrench.

Accuracy ±3%

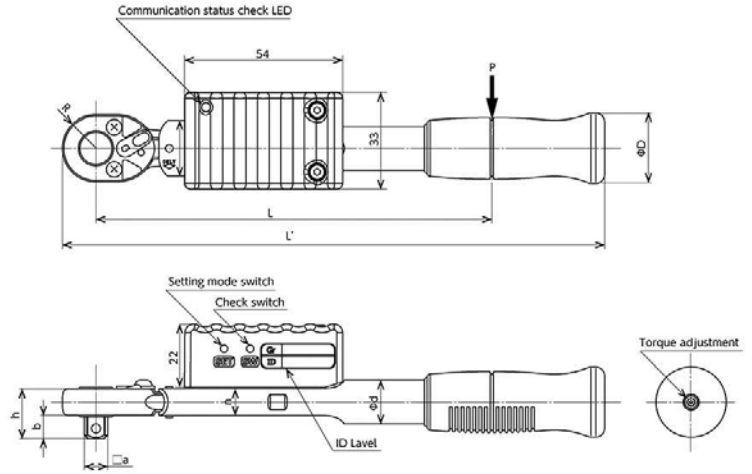
## Notes

- Modifications after purchase of an MS-type torque wrench cannot be made.
- Re-installation from a conventional FHS transmitter to the T-FHP transmitter cannot be performed.

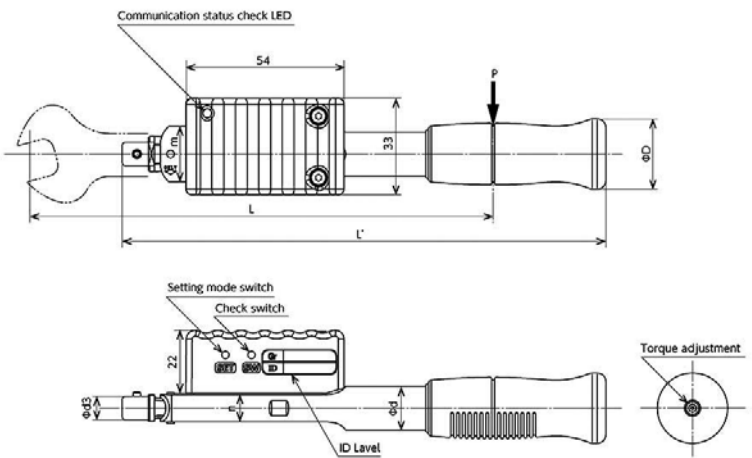
# DIMENSIONS



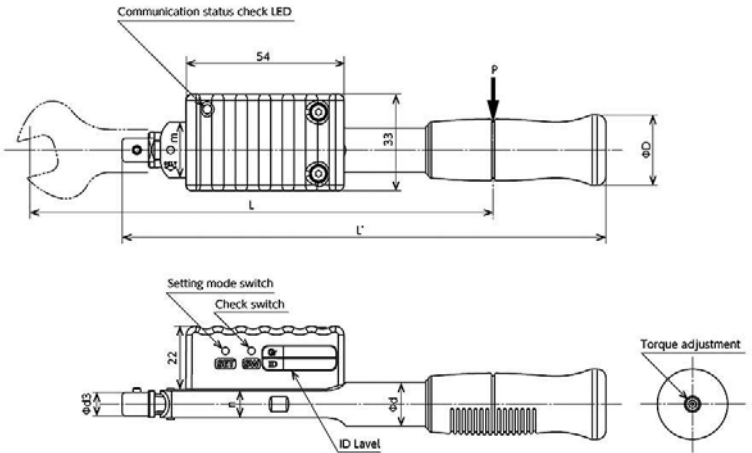
T-FHP dimensional drawing



QSPFHP dimensional drawing



CSPFHP dimensional drawing



Rough configuration of the QLFHP2N-MH and QLFHP5N-MH