

SPECIFICATIONS

Inches

Head Diameter Size	Model Head Size x Width (in.)
8D	RH8DX1/4
	RH8DX5/16
	RH8DX3/8
	RH8DX7/16
10D	RH10D X 3/8
	RH10DX7/16
	RH10DX1/2
	RH10DX9/16
12D	RH10DX5/8
	RH12D X 5/16
	RH12D X 3/8
	RH12D X 7/16
	RH12D X 1/2
	RH12D X 9/16
	RH12D X 5/8
	RH12D X 11/16
15D	RH12D X 3/4
	RH12D X 13/16
	RH15D X 1/2
	RH15D X 9/16
	RH15D X 5/8
	RH15D X 11/16
	RH15D X 3/4
	RH15D X 13/16
	RH15D X 7/8
	RH15D X 15/16
RH15D X 1	

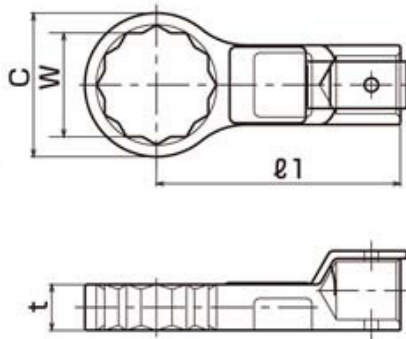
Head Diameter Size	Model Head Size x Width (in.)
19D	RH19D X 11/16
	RH19D X 3/4
	RH19D X 13/16
	RH19D X 7/8
	RH19D X 15/16
	RH19D X 1
	RH19D X 1-1/16
	RH19D X 1-1/8
22D	RH19D X 1-1/4
	RH22D X 3/4
	RH22D X 13/16
	RH22D X 7/8
	RH22D X 15/16
	RH22D X 1
	RH22D X 1-1/16
	RH22D X 1-1/8
RH22D X 1-1/4	
RH22D X 1-5/16	

Metric

Head Diameter Size	Model (Head Size X Width)	Allowable Torque (N.m)	Outside Width (mm)	Thickness (mm)	Length (mm)		
8D	RH8D X 5.5	1.5	10.5	9	35		
	RH8D X 6	2.4	11				
	RH8D X 7	3.6	12				
	10D	RH8D X 8	7.2	13.5		6	44
		RH8D X 10	12.2	15.5			
		RH8D X 11	14	17		7	
		RH8D X 12		18			
	12D	RH8D X 13	7.2	19		8	53
		RH10D X 8		12.5			
		RH10D X 10	12.2	15.5		7	
RH10D X 11		20	17	5.5			
RH10D X 12		29.5	18		6.5		
RH10D X 13			19				
RH10D X 14		59	20	10			
RH10D X 16			24				
15D		RH10D X 17	25	25	12	63	
		RH10D X 18		26			
	RH10D X 19	70	29	13			
	RH10D X 21		30				
	RH10D X 22	29.5	30	7			
	RH15D X 12		19				
	RH15D X 13	20.5	8				
	RH15D X 14	22					
	RH15D X 16	25	10				
	RH15D X 17	26					
RH15D X 18	100	27	13				
RH15D X 19		28					
RH15D X 21	140	31	8				
RH15D X 22		34					
RH15D X 24	59	37	10				
RH15D X 27		41					
RH15D X 30	59	22	8				

Head Diameter Size	Model (Head Size X Width)	Allowable Torque (N.m)	Outside Width (mm)	Thickness (mm)	Length (mm)
19D	RH19D X 14	59	22.5	8	80
	RH19D X 17	100	27	10	
	RH19D X 18		28	11	
	RH19D X 19	166	29	13	
	RH19D X 21		32		
	RH19D X 22	200	35	15	
	RH19D X 24		39		
	RH19D X 27	7.2	35	6	
	RH19D X 30		41		
	RH19D X 32	166	44	14	
RH19D X 34	47				
RH19D X 36	255	49	15		
RH19D X 41		55			
22D	RH22D X 19	166	30	14	100
	RH22D X 22	190	34	17	
	RH22D X 24		37		
	RH22D X 27	41	5		
	RH22D X 30	44			
	RH22D X 32	500	45	62	
	RH22D X 34		49		
	RH22D X 36	750	51	20	
	RH22D X 41		57		
	RH22D X 46	255	62	14	
RH27D X 22	35		15		
RH27D X 24	490	38	16		
RH27D X 27		42			
RH27D X 30	670	46	19		
RH27D X 32		48			
RH27D X 34	750	51	21		
RH27D X 36		52			
RH27D X 41	750	58	22		
RH27D X 46		64			
RH27D X 50	860	69	26		
RH32D X 27		49		43	
RH32D X 30	670	46.5	18		
RH32D X 32		49			
RH32D X 34	1200	52	24		
RH32D X 36		53			
RH32D X 41	59	59	27		
RH32D X 46		65			
RH32D X 50	1200	69	29		
RH32D X 55		75			
RH32D X 60	80				

DIMENSIONS



RoHS

How to order.
Specify **Model name**
[Ex.] RH12DX10

RH8DX5.5 to RH8DX7 are hex shape.
(except for Inch Size)