

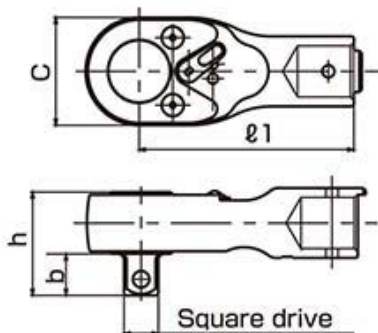
SPECIFICATIONS

Model	Tohnichi Head Size	Sq.Drive (mm)	Sq.Drive (in)	Outside Width (mm)	h (mm)	b (mm)
QH8D	8D	6.35	1/4	23	17.5	7.5
QH10D-1/4	10D			26	22	11
QH10D		12D	9.53	3/8	32	
QH12D	15D		12.7	1/2	37.5	33.5
QH15D-3/8*		19D			19.05	3/4
QH15D	22D		19.05	3/4		
QH19D		27D			25.4	1
QH22D-1/2**	32D		25.4	1		
QH22D						
QH27D						
QH32D						

Notes

- *QH15D-3/8 has a max torque of 100NM
- **QH22D-1/2 has a max torque of 280NM
- QH32D with 1 inch drive has a hole for pin/oring type socket

DIMENSIONS



6.35
sq.

9.53
sq.

12.7
sq.

19.05
sq.

25.4
sq.

RoHS

How to order.

Specify **Model name**

[Ex.] QH10D

For square drive dimension, refer to P.457