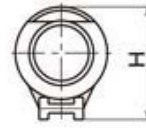
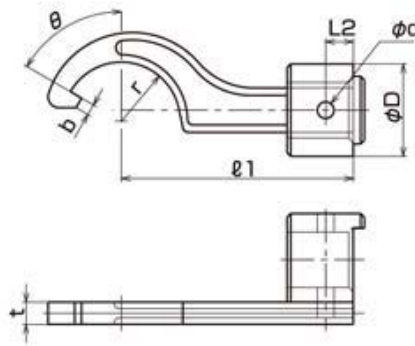


SPECIFICATIONS

| Tohnichi Head Size | Model | Applicable size of Nut Outside Diameter [mm] | Dimensions [mm] | | | | | | | |
|--------------------|------------|--|-----------------|----|-----|---|------|----|-----|-----|
| | | | r | O1 | b | t | H | D | L2 | d |
| 15D | FH15D X 30 | 30-38 | 16 | 60 | 3 | 6 | 30 | 25 | 7.5 | 4.5 |
| | FH15D X 38 | 38-45 | 20 | | | | | | | |
| | FH15D X 45 | 45-52 | 24 | | 3.5 | 7 | 30.5 | | | |
| | FH15D X 52 | 52-58 | 27 | | | | | | | |
| | FH15D X 58 | 58-65 | 31 | | 4.5 | 8 | 31 | | | |
| 19D | FH19D X 65 | 65-75 | 35.5 | 5 | | | | 10 | 40 | 32 |
| 22D | FH22D X 75 | 75-85 | 39 | | 45 | 5 | 10 | | | |
| | FH22D X 85 | 85-98 | 45.5 | | | | | | | |

DIMENSIONS



How to order.
 Specify **Model name**
 [Ex.] FH15DX30