

SPECIFICATIONS

Accuracy ± 5%

S.I. MODEL			AUR5N	AUR12.5N	AUR25N	AURLS5N	AURLS12.5N	AURLS25N
TORQUE RANGE [N · m]	MIN. ~ MAX.		2~5	5~12.5	10~25	2~5	5~12.5	10~25
	GRAD.		0.1	0.25	0.5	0.1	0.25	0.5
METRIC MODEL			AU50R	AU125R	AU250R	AU50RLS	AU125RLS	AU250RLS
TORQUE RANGE [kgf · cm]	MIN. ~ MAX.		20~50	50~125	100~250	20~50	50~125	100~250
	GRAD.		1.0	2.5	5.0	1.0	2.5	5.0
AMERICAN MODEL			AU50R-A	AU125R-A	AU250R-A	AU50RLS-A	AU125RLS-A	AU250RLS-A
TORQUE RANGE [lbf · in]	MIN. ~ MAX.		15~45	37.5~112.5	75~225	15~45	37.5~112.5	75~225
	GRAD.		1.0	2.5	5.0	1.0	2.5	5.0
LIMIT SWITCH			WITHOUT			WITH		
FREE ROTATION [r.p.m.]			2100	800	400	2100	800	400
APPLICABLE BOLT	COMMON STEEL		M5,M6	(M7)M8	M10	M5,M6	(M7)M8	M10
	HIGH TENSION		M4(M4.5)	M5,M6	(M7)M8	M4(M4.5)	M5,M6	(M7)M8
AIR PRESSURE [MPa]			0.5					
AIR MASS FLOW [m³/min]			0.9					
FASTENING AIR MASS FLOW [m³/PC]			0.008	0.02	0.04	0.008	0.02	0.04
HOSE DIA. [mm]			φ10					
DIMENSION [mm]	OVERALL LENGTH	L1	219	227		219	227	
	OVERALL WIDTH	L2	64		142	64		142
	OVERALL HEIGHT	L3	185					
AIR INLET			R(PT)3/8					
WEIGHT [kg]			1.5	1.7		1.5	1.7	
ACCESSORY	BIT		#3		#3			

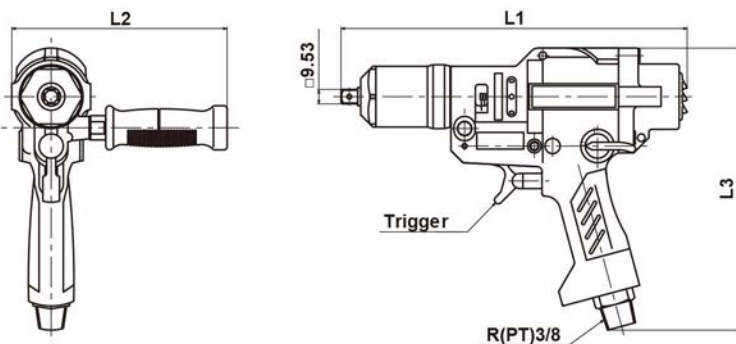
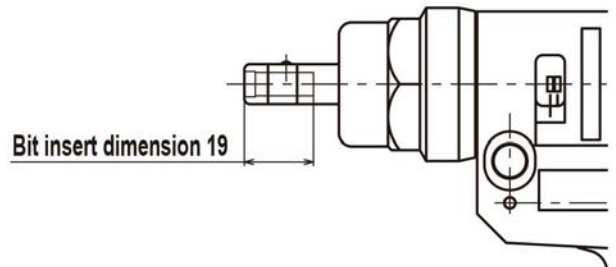
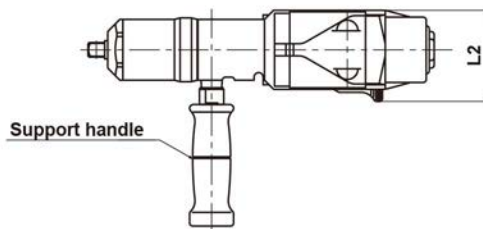
Notes

Counterclockwise has no torque control.

Standard accessories

1. Torque Adjusting key
2. M3 HEX key
3. Support Handle (for AUR(LS)25N)
4. W12 Open Ended Wrench (for AUR(LS)25N).

DIMENSIONS



AUR(LS)5N

AUR(LS)12.5N, 25N