

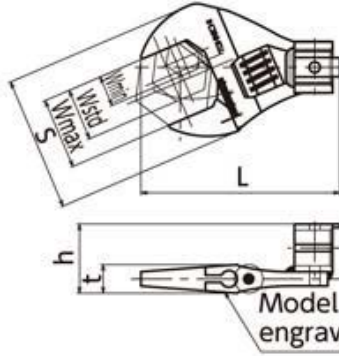
# SPECIFICATIONS

Model	Min Inner Width	Standard Inner Width	Max Inner Width	Allowable Torque [Nm]	Dimensions (mm)				Applicable Models
					S	L	t	h	
AH10DX13	3	8	13	25	36	57	9	23	10D Root Diameter : CL,PCL, CSP
AH10DX26	7	17	26	25	49	62	11	25	
AH12DX13	3	8	13	30	36	66	9	23	12D Root Diameter: CL, PCL, CSP
AH12DX26	7	17	26	50	49	71	11	26	
AH12DX36	8	22	36	50	65	78	13	27	
AH15D2X26	10	18	26	50	50	77	11	31	15D Root Diameter: CL, PCL, CSP
AH15D2X30	13	22	30	100	60	84	12	32	
AH15D2X36	13	24	36	140	65	87	13	33	

## Notes

1. Use at no more than AH torque tolerance (Tmax) and at no more than the torque wrench's maximum torque.
2. Use the AH with a click type torque wrench for tightening.

# DIMENSIONS



Model maximum torque engraved(TMAX)

RoHS

**How to order.**  
Specify **Model name**  
[Ex.] **AH15D2X30**

Interchangeable head wrench and Interchangeable head of the same size can be connected.

